

2-HEAD PLAYBACK AND RECORD AMPLIFIER FOR VCR

ADVANCE DATA

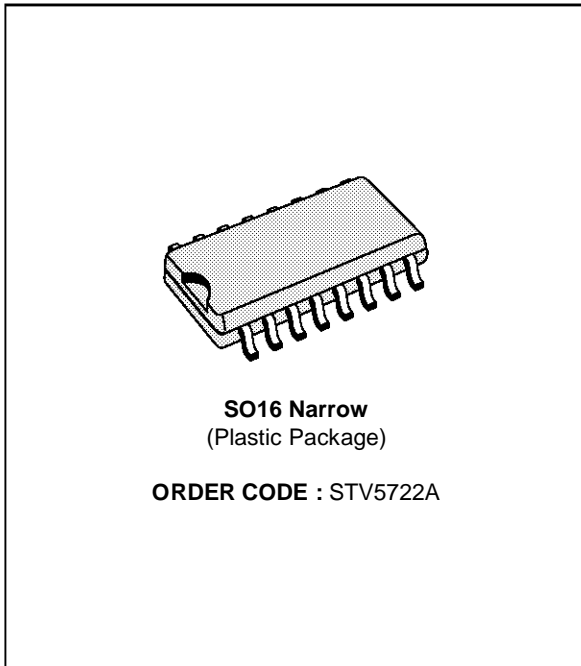
- ONE 5V POWER SUPPLY
- PLAYBACK/RECORD MODE SELECTION THROUGH A LOGIC INPUT
- SO16 PACKAGE
- NO ADJUSTMENT FOR LUMINANCE RE-RECORDING

PLAYBACK MODE

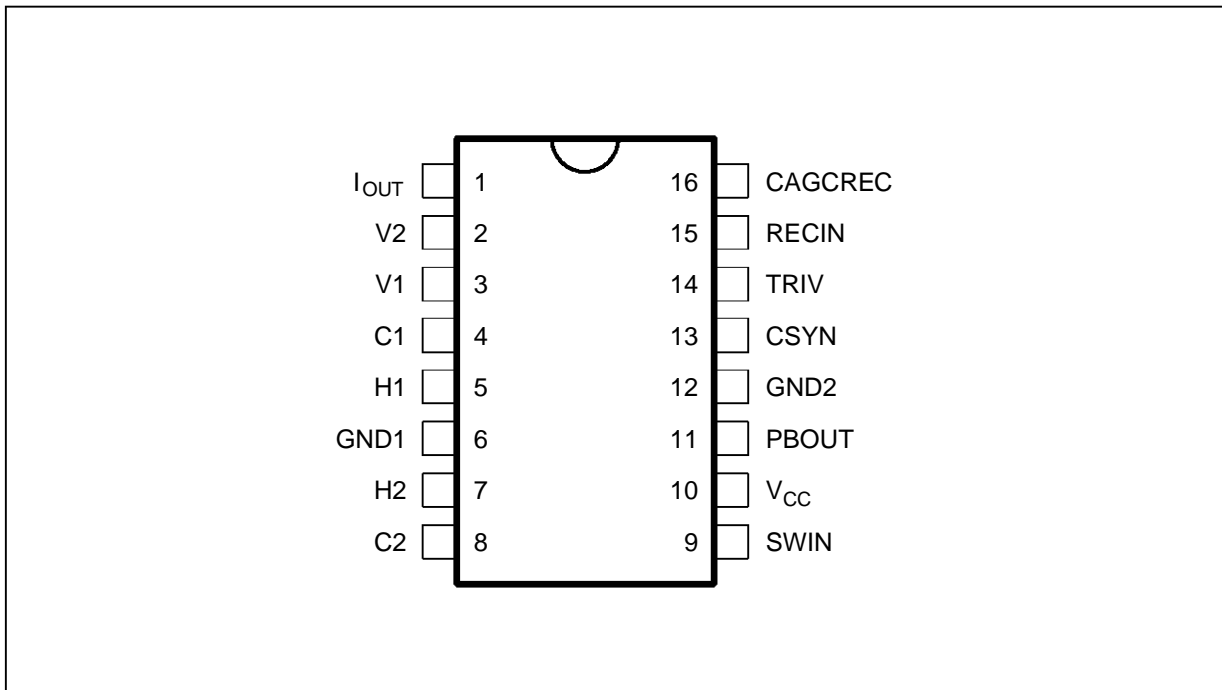
- LOW NOISE AND WIDE BAND AMPLIFIERS FOR 2 HEADS
- AUTOMATIC OFFSET CANCELLATION BETWEEN THE 2 SELECTED HEADS
- ONE PLAYBACK OUTPUT
- ONE OUTPUT FOR AUTOMATIC VIDEO TRACKING

RECORD MODE

- RECORD AGC AMPLIFIER SAMPLED BY SYNCHRO SIGNAL
- RECORDING SIGNAL LEVEL ADJUSTABLE BY EXTERNAL RESISTOR



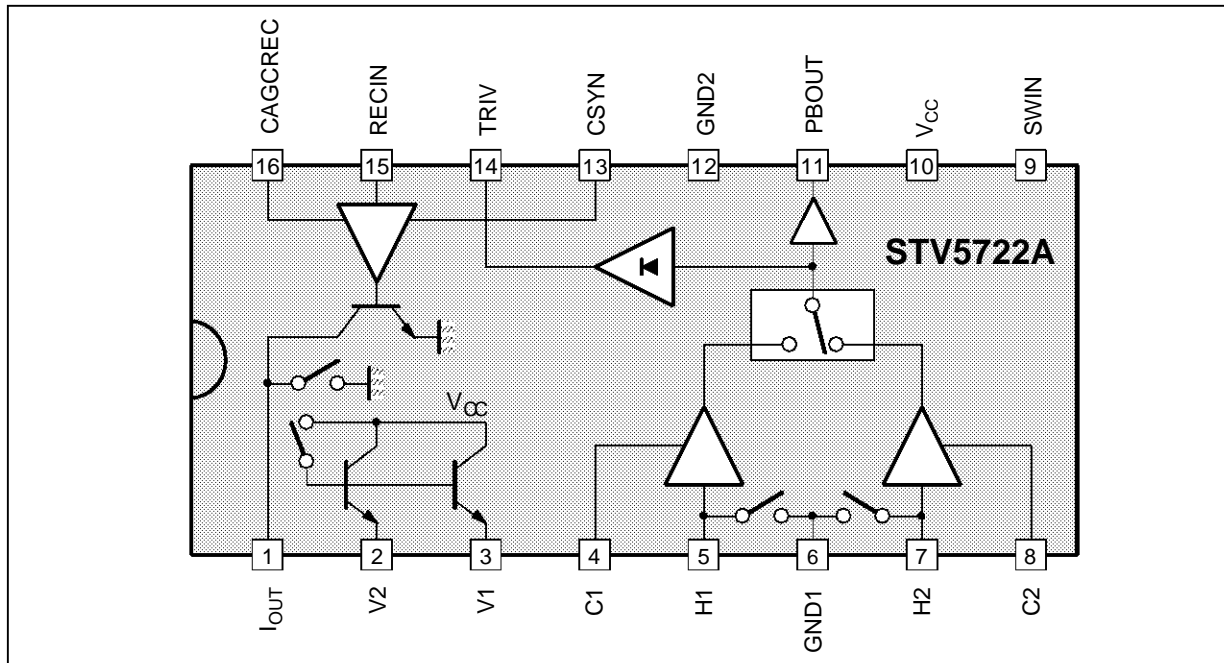
PIN CONNECTIONS



5722A-01.EPS

STV5722A

BLOCK DIAGRAM



5722A-02.EPS

ABSOLUTE MAXIMUM RATINGS

| Symbol | Parameter | Value | Unit |
|-------------------|-----------------------|--------|------|
| V _{CC} | Power Supply Voltage | 6 | V |
| T _j | Junction Temperature | 150 | °C |
| T _{oper} | Operating Temperature | 0, +70 | °C |

5722A-01.TBL

THERMAL DATA

| Symbol | Parameter | Value | Unit |
|-----------------------|-------------------------------------|----------|------|
| R _{th (j-a)} | Junction-ambient Thermal Resistance | Max. 100 | °C/W |

5722A-02.TBL

RECOMMENDED OPERATING CHARACTERISTICS

| Symbol | Parameter | Min. | Typ. | Max. | Unit |
|-----------------|----------------------------|------|------|------|------|
| V _{CC} | Power Supply | 4.75 | 5 | 5.25 | V |
| CAGC | Capacitance on Pin CAGCREC | 4.7 | | | nF |
| RECADJ | Record Biasing Resistor | 10 | | 33 | kΩ |

5722A-03.TBL

ELECTRICAL CHARACTERISTICS ($T_{amb} = 25^{\circ}\text{C}$, unless otherwise specified)**Playback Mode** ($V_{CC} = 5\text{V}$, no load on Pin PBOUT, Recadj = $12\text{k}\Omega$)

| Symbol | Parameter | Test Conditions | Min. | Typ. | Max. | Unit |
|--------------------|-----------------------------|--|------|------|------|--------------------------------------|
| PLAYBACK AMPLIFIER | | | | | | |
| I _{CC1} | Supply Current | | 19 | 29 | 39 | mA |
| GPB | Playback Gain | Sinewave 600kHz, 0.4mV _{PP} on inputs | 55 | 57 | 59 | dB |
| EN | Equivalent Voltage Noise | Input grounded via I _{OUT} Pin @ 600kHz, BW = 10kHz | | 0.6 | | $\frac{\text{nV}}{\sqrt{\text{Hz}}}$ |
| IN | Equivalent Input Current | Input open @ 6MHz, BW = 10kHz | | 1.7 | | $\frac{\text{pA}}{\sqrt{\text{Hz}}}$ |
| CRT1 | Crosstalk | Sinewave @ 4MHz, 0.4mV _{PP} | | -35 | -28 | dB |
| RPBSW | Playback Switch on Resistor | @ 6MHz | 1 | 5 | 10 | Ω |
| BWLCF | Attenuation @ 100KHz | Reference level @ 600kHz | -3 | 0 | 1 | dB |
| BWHCF | Attenuation @ 8MHz | Reference level @ 4MHz | -3 | -1 | 0 | dB |
| C _{IN} | Input Capacitance | @ 6MHz, 22nF between Vi/Hi | 30 | 40 | 50 | pF |
| Z _{IN} | Input Impedance | @ 6MHz | 300 | 450 | 600 | Ω |
| ZCPB | Output Resistance | DC | 5 | 24 | 50 | Ω |
| VDCPB1 | DC Level on Pin PBOUT | | 1.6 | 2 | 2.4 | V |
| DVDC | Head Switch Offset | | -0.1 | 0 | 0.1 | V |
| SHPB1 | 2nd Harmonic | Sinewave @ 4MHz, 0.4mV _{PP} | | -45 | -40 | dB |

TRIV FUNCTION

| | | | | | | |
|-------|------------------|--|-----|-----|-----|---|
| TRIV0 | Output Level (1) | No input signal | 0 | 0.3 | 1 | V |
| TRIV1 | Output Level (2) | Sinewave @ 4MHz, 100mV _{PP} @ PBOUT | | 1.3 | | V |
| TRIV4 | Output Level (3) | Sinewave @ 4MHz, 400mV _{PP} @ PBOUT | 2.5 | 3.1 | 3.5 | V |
| TRIV6 | Output Level (4) | Sinewave @ 4MHz, 600mV _{PP} @ PBOUT | 3.2 | 3.7 | 4.2 | V |

Record Mode ($V_{CC} = 5\text{V}$, Recadj = $12\text{k}\Omega$, SWR = 5V, CAGCREC = 470pF, RRCY = 2.2k Ω , RRCC = 8.2k Ω , Load 10 μH //1k Ω for each simulated head)

| Symbol | Parameter | Test Conditions | Min. | Typ. | Max. | Unit |
|------------------|-------------------------------------|--|------|------|------|-------------------|
| RECORD AMPLIFIER | | | | | | |
| I _{CC2} | Current Supply | | 50 | 68 | 88 | mA |
| IHA0 | DC Current through I _{OUT} | | 26 | 32 | 40 | mA |
| IHA1 | Fundamental | VRCY = 300mV _{PP} @ 4MHz | 20 | 23 | 26 | mA _{APP} |
| IHA2 | 2nd Harmonic | VRCY = 300mV _{PP} @ 4MHz | | -42 | -38 | dB |
| BWRECL | Attenuation at 100kHz | Reference level @ 600kHz, AGC locked | -3 | 0 | 1 | dB |
| BWRECH | Attenuation at 8MHz | Reference level @ 4MHz, AGC locked | -2 | -0.5 | 1 | dB |
| DVLREC | Record AGC Sensitivity | V _{IN} = 300mV _{PP} \pm 3dB @ f = 4MHz | -1 | 0 | +1 | dB |
| RIOUT | Output Resistance | $\Delta V = 5\text{V}$ | | 800 | | Ω |
| RSAT | Output Stage Resistance | $\Delta I = 10\text{mA}$ | 5 | 10 | 50 | Ω |
| IRN | AGC Capacitor downloading Current | 4.5V at CAGC Pin | | 165 | | μA |
| IRP | AGC Capacitor uploading Current | 0.5V at CAGC Pin, V _{IN} = 300mV _{PP} @ 4MHz | | -165 | | μA |

SWITCHING LEVELS

| | | | | | | |
|--------|----------------------------|--------------------------------|-----|-----|-----|---------------|
| VSWINH | SWIN Input Threshold | Selects head H1, 0 to 5V | 1.5 | 2 | 2.5 | V |
| VSWINL | SWIN Input Threshold | Selects head H2, 5 to 0V | 1.5 | 2 | 2.5 | V |
| ISWINH | SWIN Input Leakage Current | 5V at SWIN input | 5 | 18 | 50 | μA |
| ISWINL | SWIN Input Leakage Current | 0V at SWIN input | -50 | -25 | -5 | μA |
| VSWRCH | SWRC Input Threshold | Selects record mode, 0 to 5V | 3.2 | 3.4 | 3.8 | V |
| VSWRCL | SWRC Input Threshold | Selects playback mode, 5 to 0V | 3.1 | 3.3 | 3.8 | V |

5722A-04.TBL

STV5722A

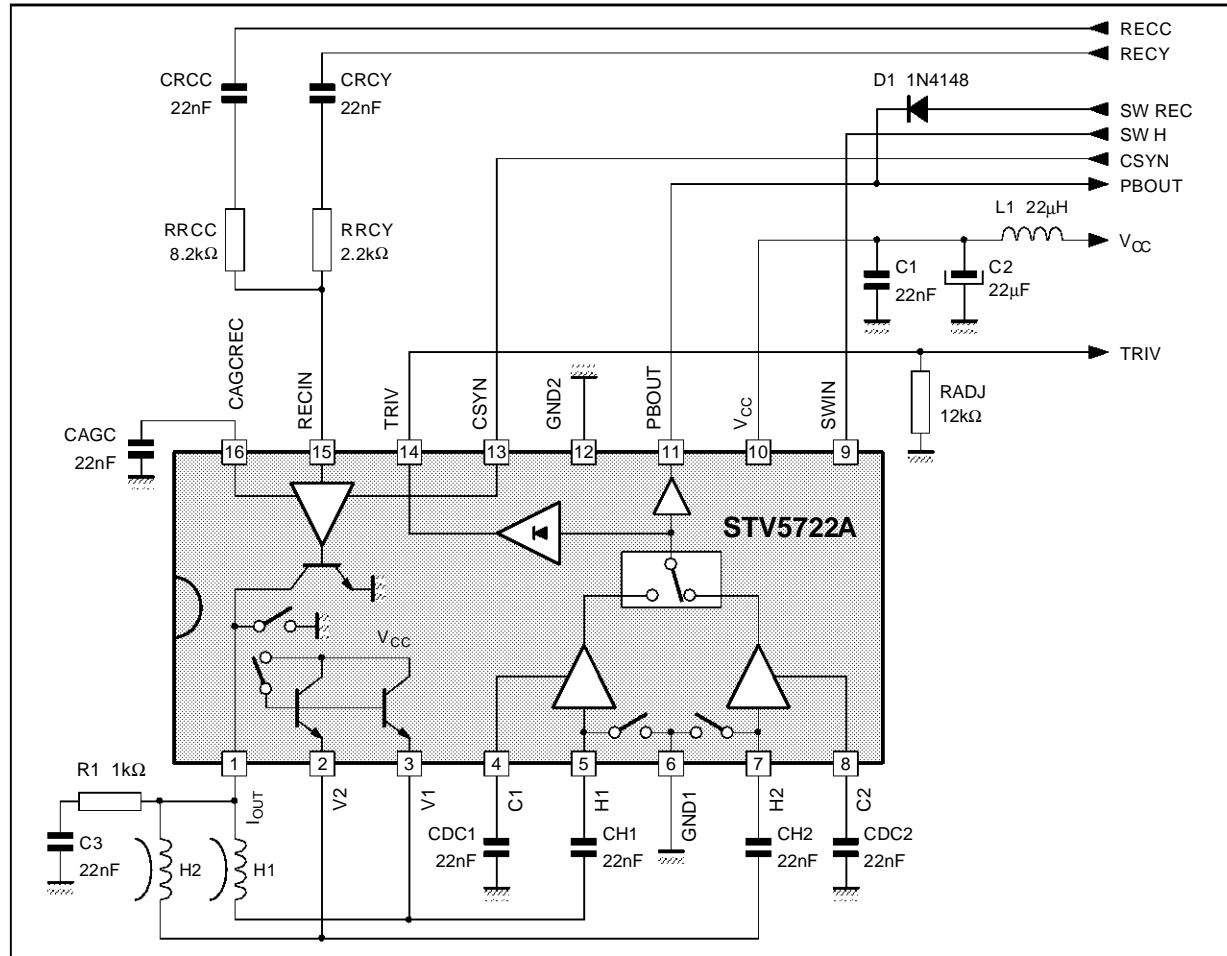
ELECTRICAL CHARACTERISTICS (T_{amb} = 25°C, unless otherwise specified)

Record Mode (V_{CC} = 5V, Recadj = 12kΩ, SWR = 5V, CAGCREC = 470pF, RRCY = 2.2kΩ, RRCC = 8.2kΩ, Load 10μH/1kΩ for each simulated head) (continued)

| Symbol | Parameter | Test Conditions | Min. | Typ. | Max. | Unit |
|------------------------------|--|------------------------------------|------|------|------|------|
| SWITCHING LEVELS (continued) | | | | | | |
| ISWRCH | SWRC Input Leakage Current | 5V at SWRC input | 2 | 5 | 8 | mA |
| ISWRCL | SWRC Input Leakage Current | 0V at SWRC input | -20 | 0 | 20 | μA |
| t _{ON} | Delay | Signal appears on P _{OUT} | | 3 | | ms |
| t ₁ | Delay from playback to record : Signal disappears on Pin P _{OUT} | 22nF between Hi/Vi | | 1 | | μs |
| t ₂ | Delay from record to playback : Signal appears on Pin P _{OUT} | 22nF between Hi/Vi | | 5 | | ms |
| t ₃ | Delay from playback to record : Signal appears on Pin I _{OUT} | | | 25 | | μs |
| t ₄ | Delay from record to playback : Signal disappears on Pin I _{OUT} | | | 7 | | μs |
| VCSYH | CSYN Input Threshold | Sampling on, 0 to 5V | 2.0 | 2.7 | 3.2 | V |
| VCSYL | CSYN Input Threshold | Sampling off, 5 to 0V | 2.0 | 2.6 | 3.1 | V |
| ICSYH | Leakage Current | 5V at CSYN Pin, Sampling on | -10 | 0 | 10 | μA |
| ICSYL | Leakage Current | 0V at CSYN Pin, Sampling off | -50 | -16 | -5 | μA |

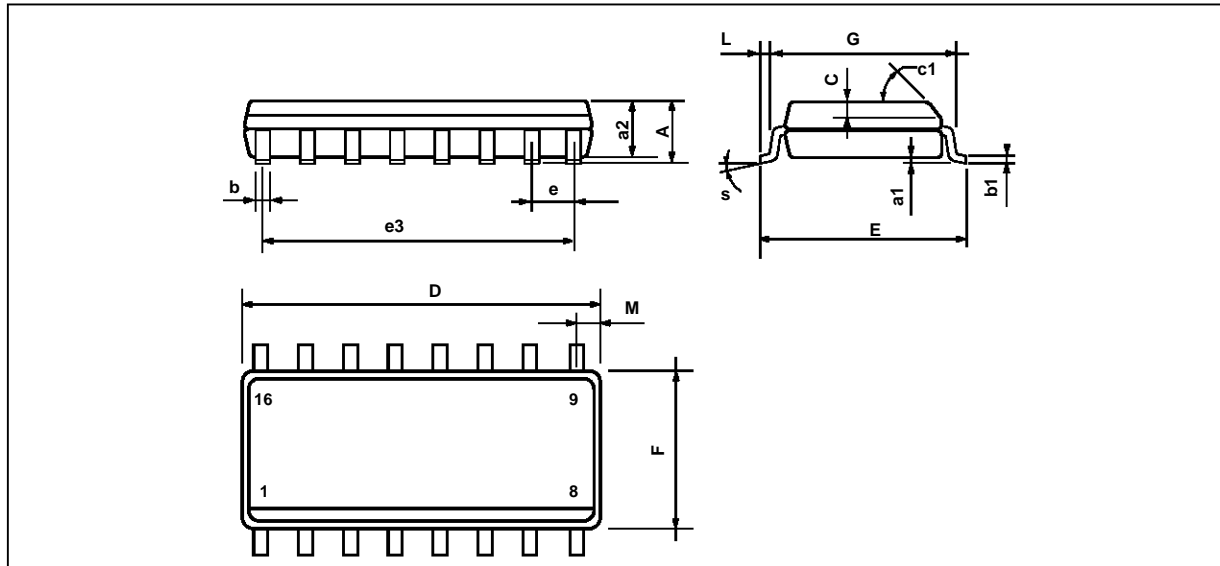
5722A-05.TBL

APPLICATION DIAGRAM



5722A-03.EPS

PACKAGE MECHANICAL DATA
16 PINS - PLASTIC MICROPACKAGE (SO)



PM-SO16.EPS

| Dimensions | Millimeters | | | Inches | | |
|------------|-------------|------|------|--------|-------|-------|
| | Min. | Typ. | Max. | Min. | Typ. | Max. |
| A | | | 1.75 | | | 0.069 |
| a1 | 0.1 | | 0.2 | 0.004 | | 0.008 |
| a2 | | | 1.6 | | | 0.063 |
| b | 0.35 | | 0.46 | 0.014 | | 0.018 |
| b1 | 0.19 | | 0.25 | 0.007 | | 0.010 |
| C | | 0.5 | | | 0.020 | |
| c1 | 45° (typ.) | | | | | |
| D | 9.8 | | 10 | 0.386 | | 0.394 |
| E | 5.8 | | 6.2 | 0.228 | | 0.244 |
| e | | 1.27 | | | 0.050 | |
| e3 | | 8.89 | | | 0.350 | |
| F | 3.8 | | 4.0 | 0.150 | | 0.157 |
| G | 4.6 | | 5.3 | 0.181 | | 0.209 |
| L | 0.5 | | 1.27 | 0.020 | | 0.050 |
| M | | | 0.62 | | | 0.024 |
| S | 8° (max.) | | | | | |

SO16.TBL

Information furnished is believed to be accurate and reliable. However, SGS-THOMSON Microelectronics assumes no responsibility for the consequences of use of such information nor for any infringement of patents or other rights of third parties which may result from its use. No licence is granted by implication or otherwise under any patent or patent rights of SGS-THOMSON Microelectronics. Specifications mentioned in this publication are subject to change without notice. This publication supersedes and replaces all information previously supplied. SGS-THOMSON Microelectronics products are not authorized for use as critical components in life support devices or systems without express written approval of SGS-THOMSON Microelectronics.

© 1994 SGS-THOMSON Microelectronics - All Rights Reserved

Purchase of I²C Components of SGS-THOMSON Microelectronics, conveys a license under the Philips I²C Patent. Rights to use these components in a I²C system, is granted provided that the system conforms to the I²C Standard Specifications as defined by Philips.

SGS-THOMSON Microelectronics GROUP OF COMPANIES

Australia - Brazil - China - France - Germany - Hong Kong - Italy - Japan - Korea - Malaysia - Malta - Morocco
The Netherlands - Singapore - Spain - Sweden - Switzerland - Taiwan - Thailand - United Kingdom - U.S.A.